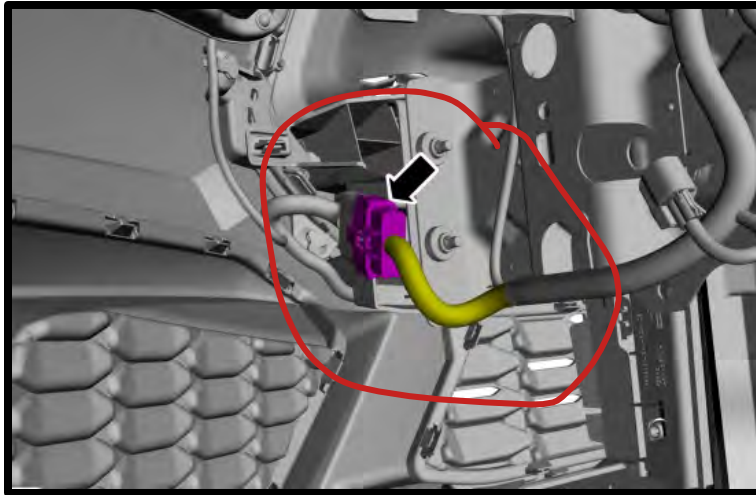
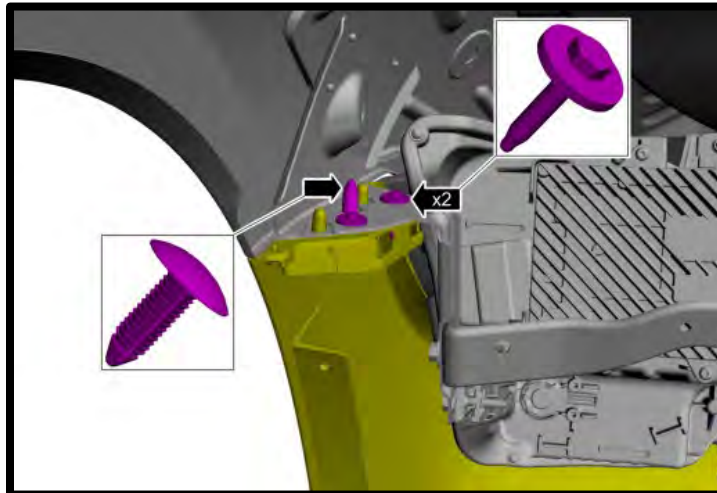


14. Disconnect the front bumper cover electrical connector.



15. On both sides, remove the front bumper cover to fender push-pin and the bolts.



16. Remove the radiator sight shield by removing the (8x) push pins. Use a flat head screwdriver to pry the center head up. These will all be reused.

