

Audio Front Control Module (ACM) - LHD RWD, Vehicles With: Equipment Group 100A/Equipment Group 101A/Equipment Group 300A/Equipment Group 301A/Equipment Group Rapid Spec 18

Special Tool(s) / General Equipment

Interior Trim Remover

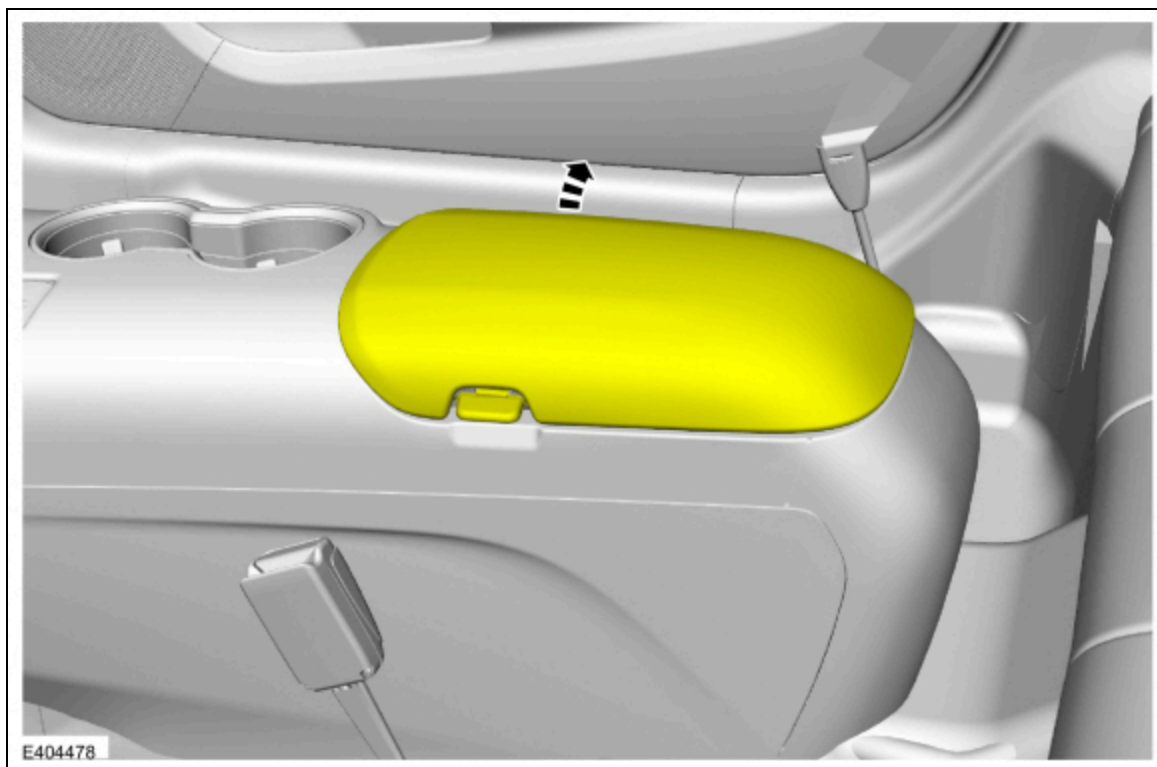
Removal

All vehicles

1. **NOTE:** If installing a new module, it is necessary to upload the module configuration information to the scan tool prior to removing the module. This information must be downloaded into the new module after installation.

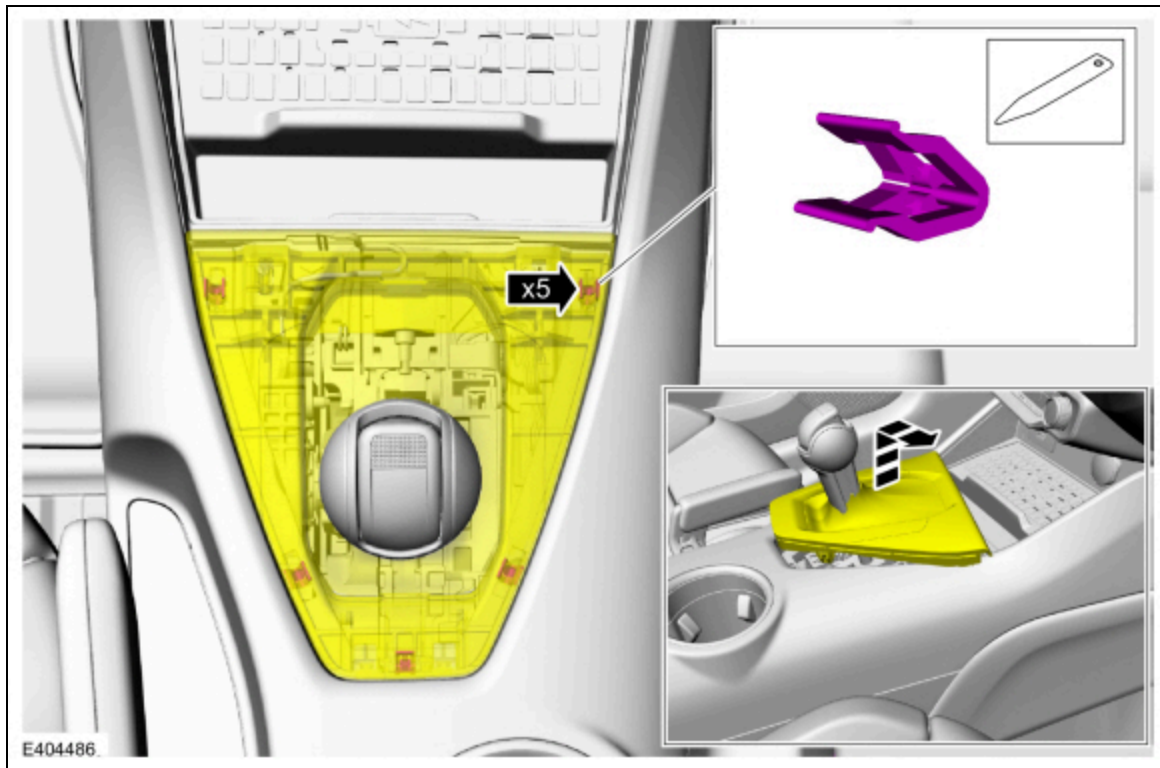
Using a diagnostic scan tool, begin the PMI process for the ACM following the on-screen instructions.

2. Open the floor console storage compartment lid.



10-Speed Automatic Transmission – 10R80

3. Release the clips and position the shifter boot and plate.
Use the General Equipment: Interior Trim Remover



E404486

6-Speed Manual Transmission – 3160

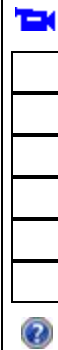
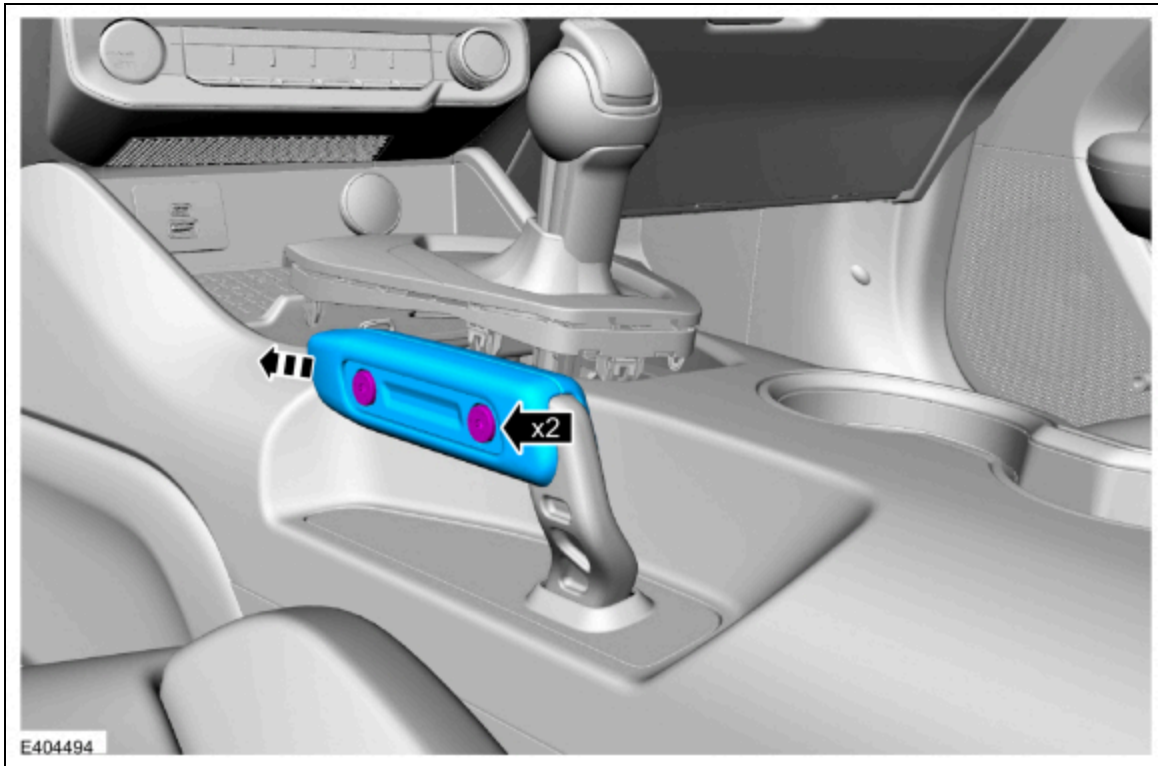
4. Release the clips and position the shifter boot and plate.
Use the General Equipment: Interior Trim Remover



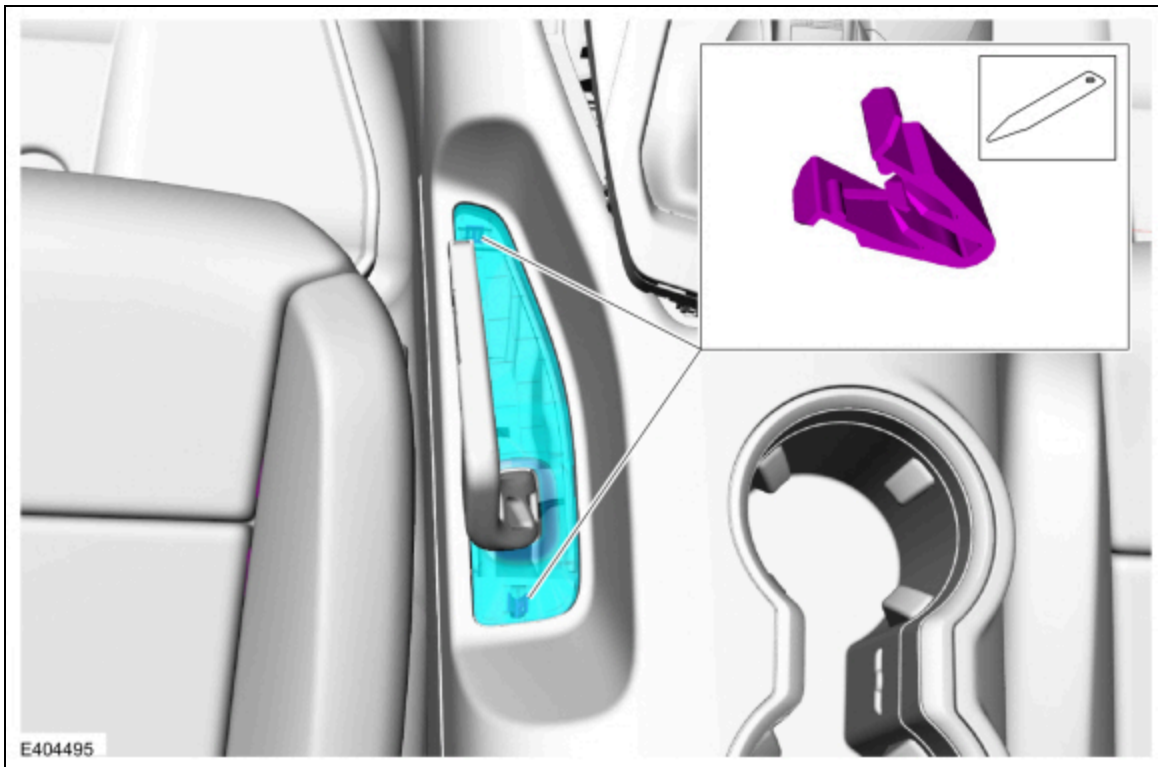
E404489

All vehicles

5. Remove the screws and the parking brake lever trim cover.

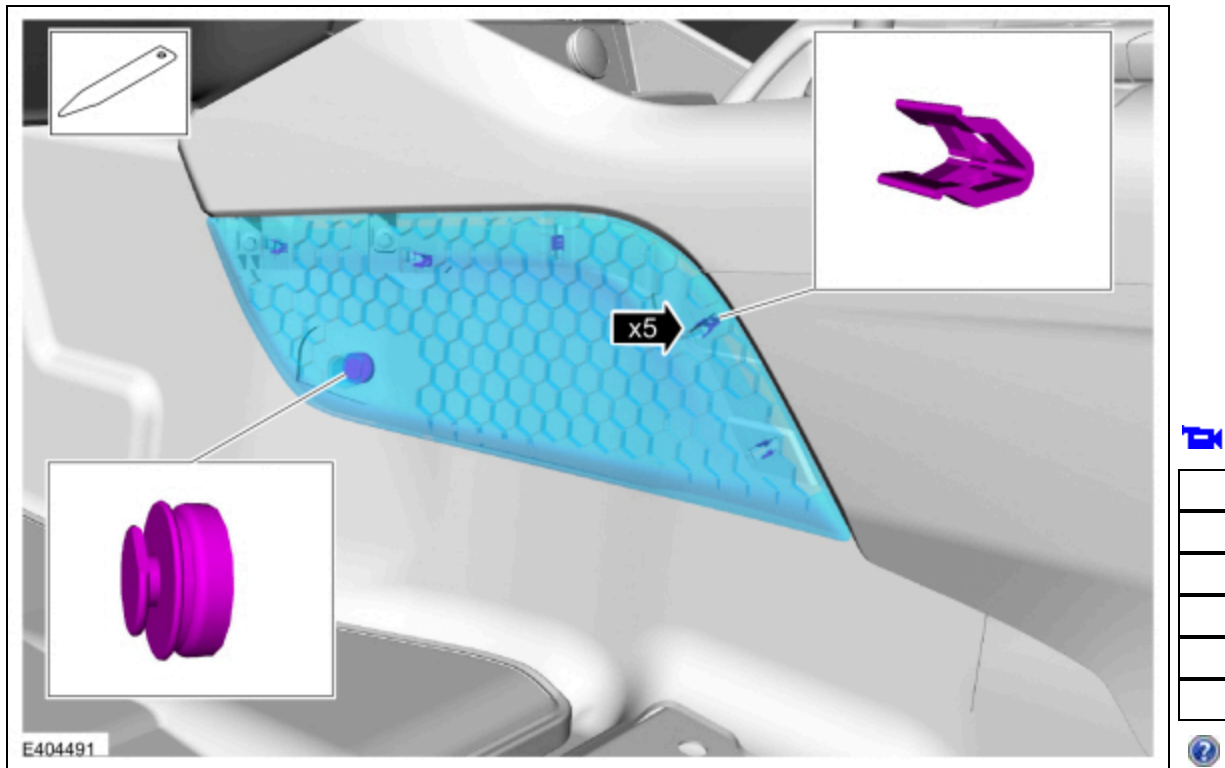


6. Release the clips and remove the parking brake lever bezel.
Use the General Equipment: Interior Trim Remover



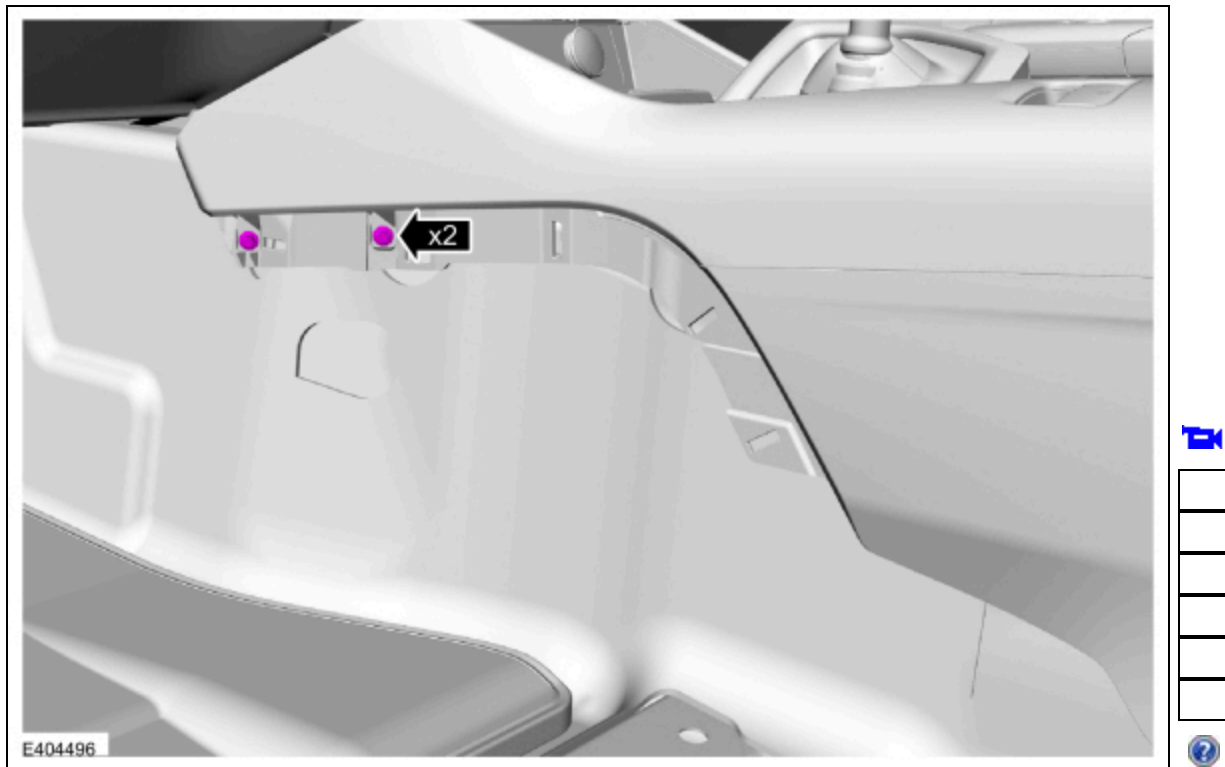
All vehicles

7. On both sides.
Release the clips, separate the magnet and remove the floor console front lower trim panel.

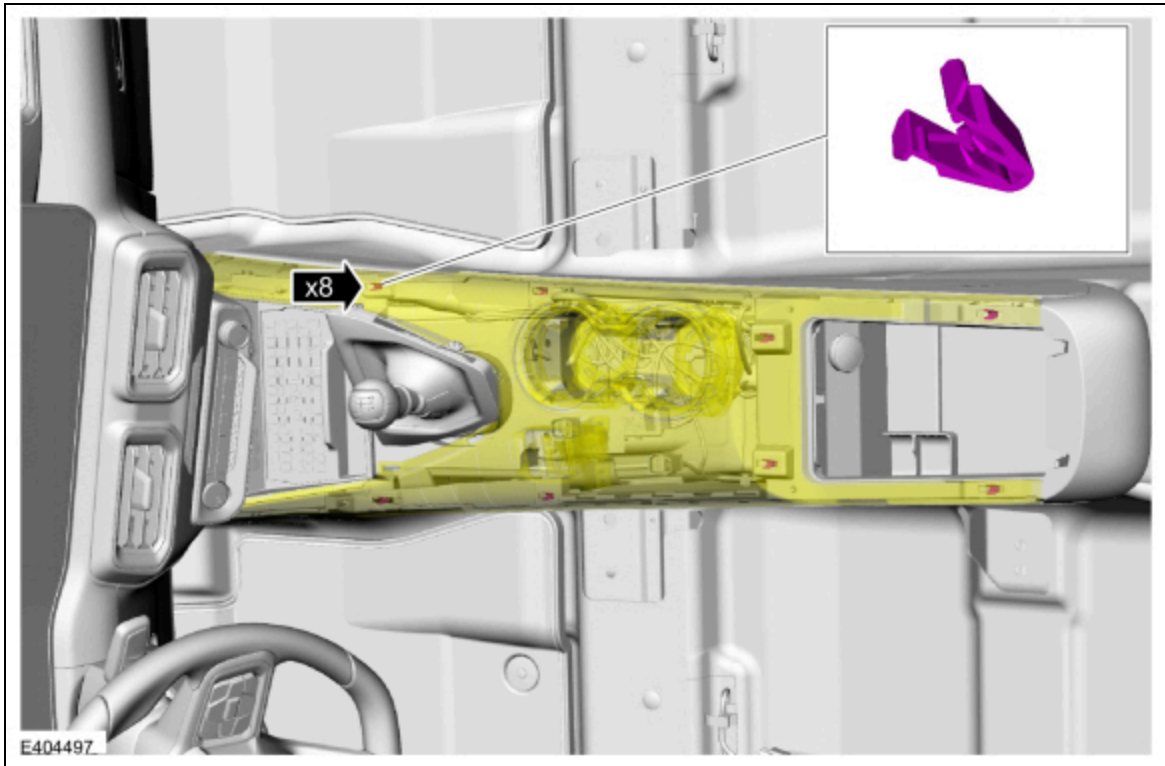


All vehicles

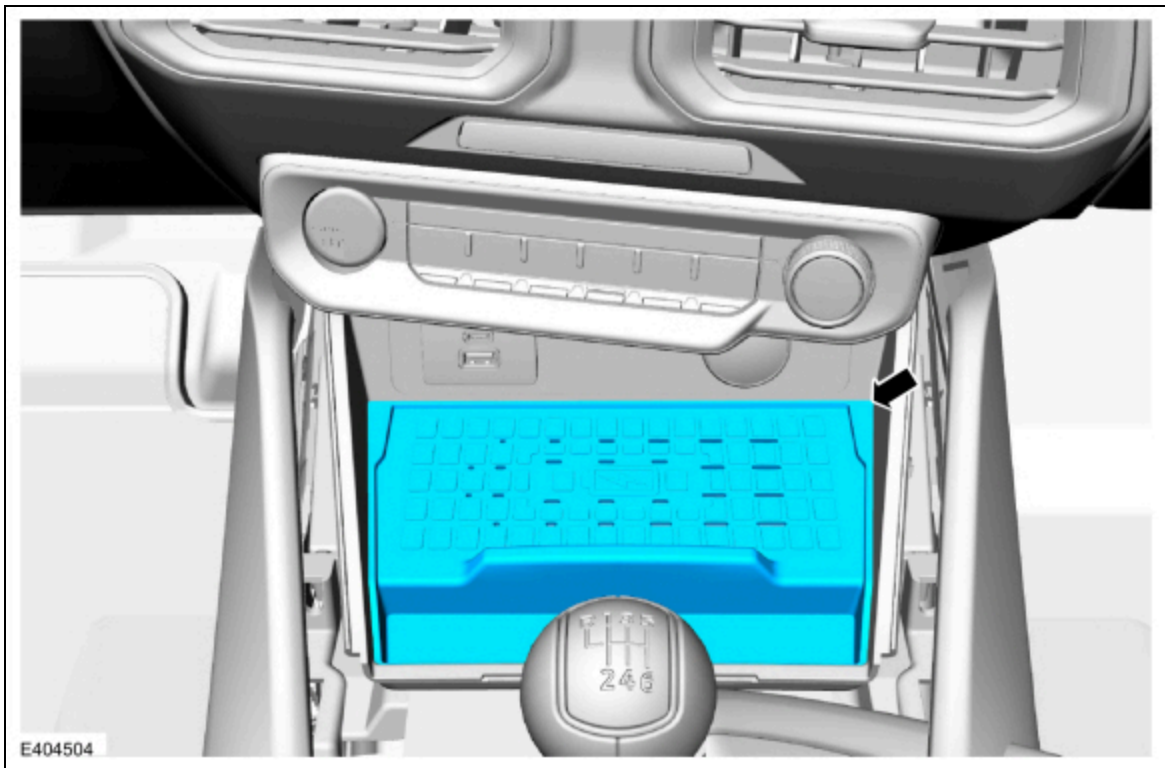
8. On both sides.
Remove the screws.



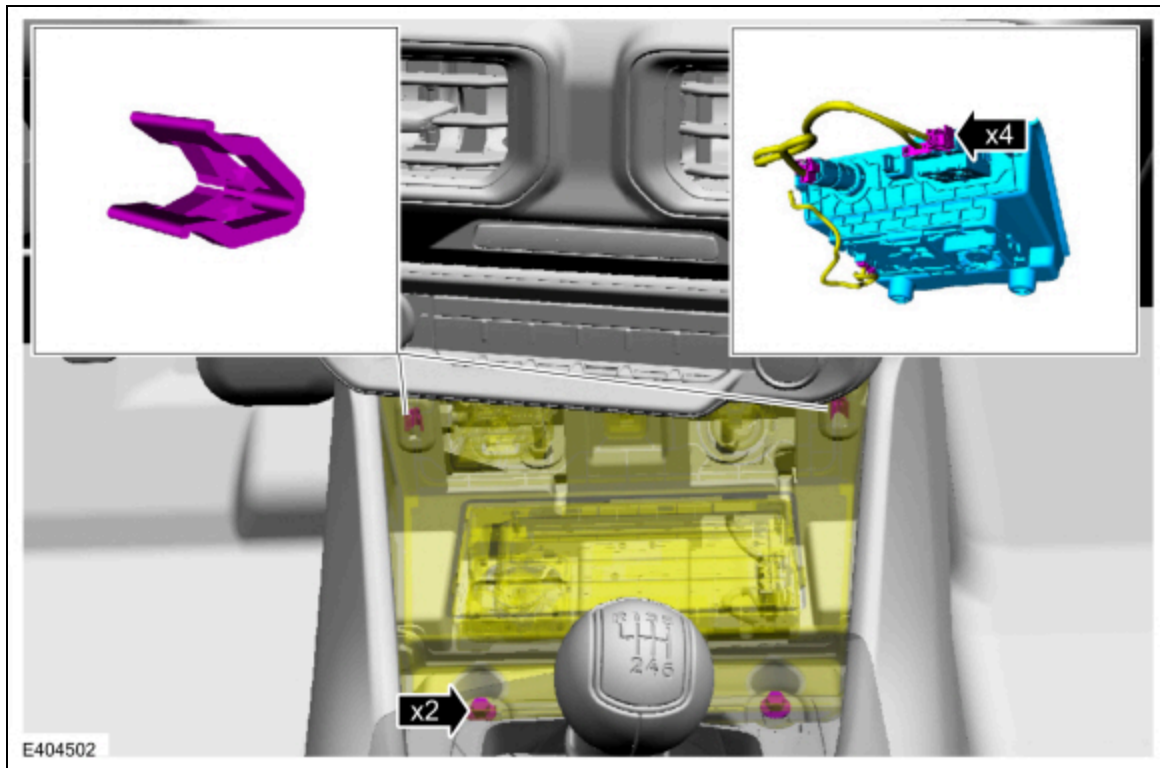
9. Release the clips and position the floor console upper trim panel aside.



10. Remove the media bin liner.

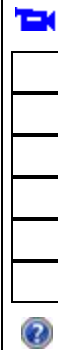
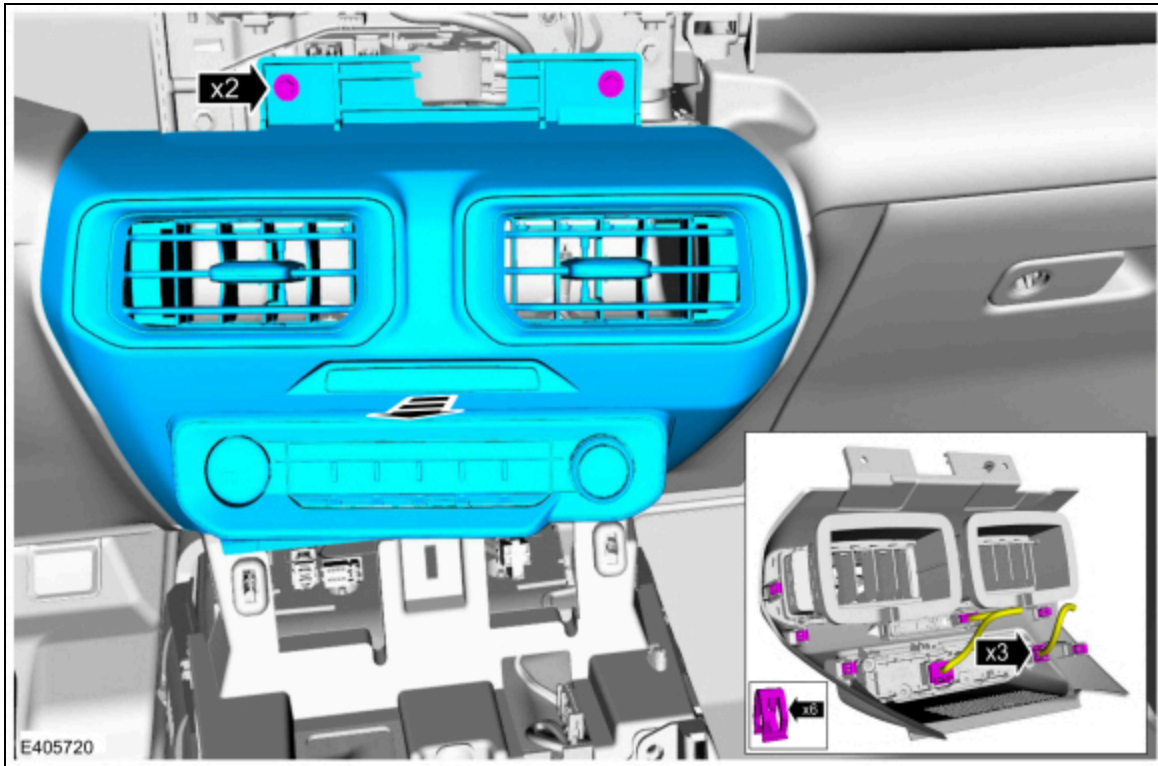


11. Remove the screws, release the clips, position the media bin, disconnect the electrical connectors and remove the media bin.
Torque: 22 lb.in (2.5 Nm)

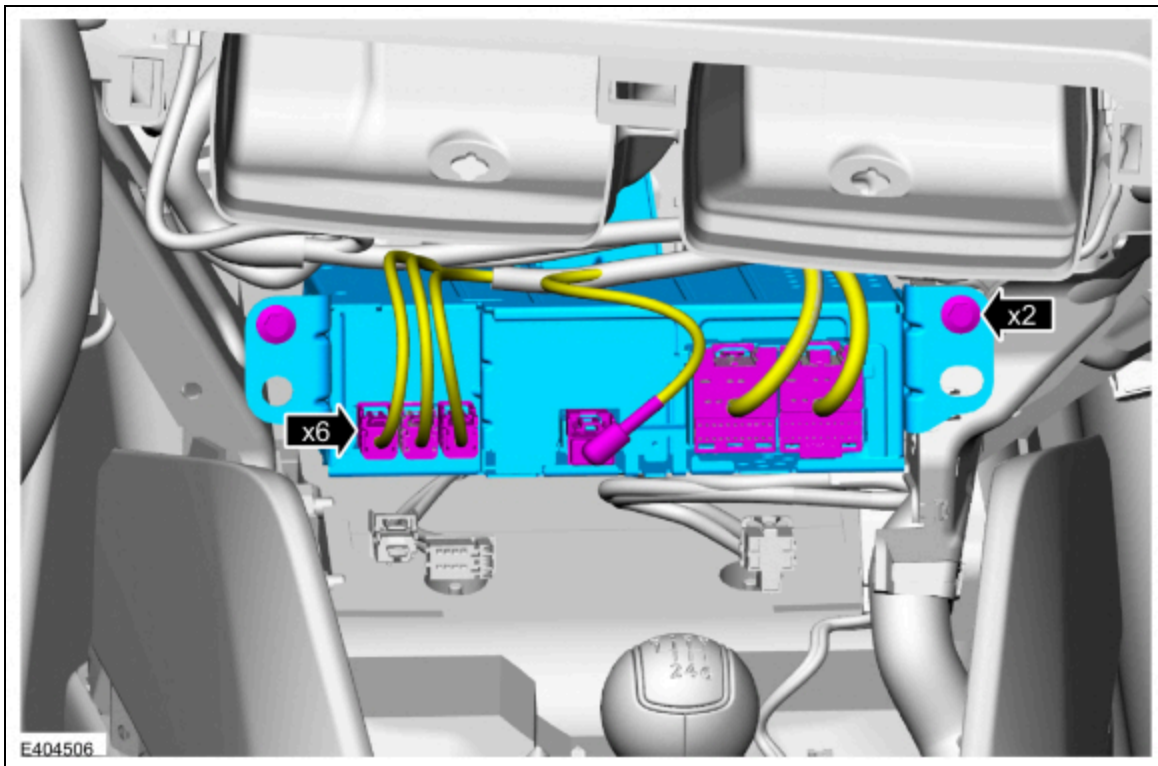


12. Remove the the IPC display screen.
Refer to: [Instrument Panel Cluster \(IPC\) Display Screen](#) (413-01 Instrumentation, Message Center and Warning Chimes, Removal and Installation).
13. **NOTE:** *Vehicles equipped with a center display screen.*

Remove the center display screen.
Refer to: [Center Display Screen](#) (415-00 Information and Entertainment System - General Information - Vehicles With: SYNC 4, Removal and Installation).
14. Remove the bolts, release the clips and remove the lower center instrument panel trim panel.
 - Disconnect the electrical connectors.
Torque: 22 lb.in (2.5 Nm)



15. Disconnect the electrical connectors, remove the bolts and the ACM .



Installation

1. To install, reverse the removal procedure.
2. **NOTE:** *The following steps are only necessary if replacing the component.*

Using a diagnostic scan tool, complete the PMI process for the ACM following the on-screen instructions.

