

Telematics Control Unit (TCU) Module



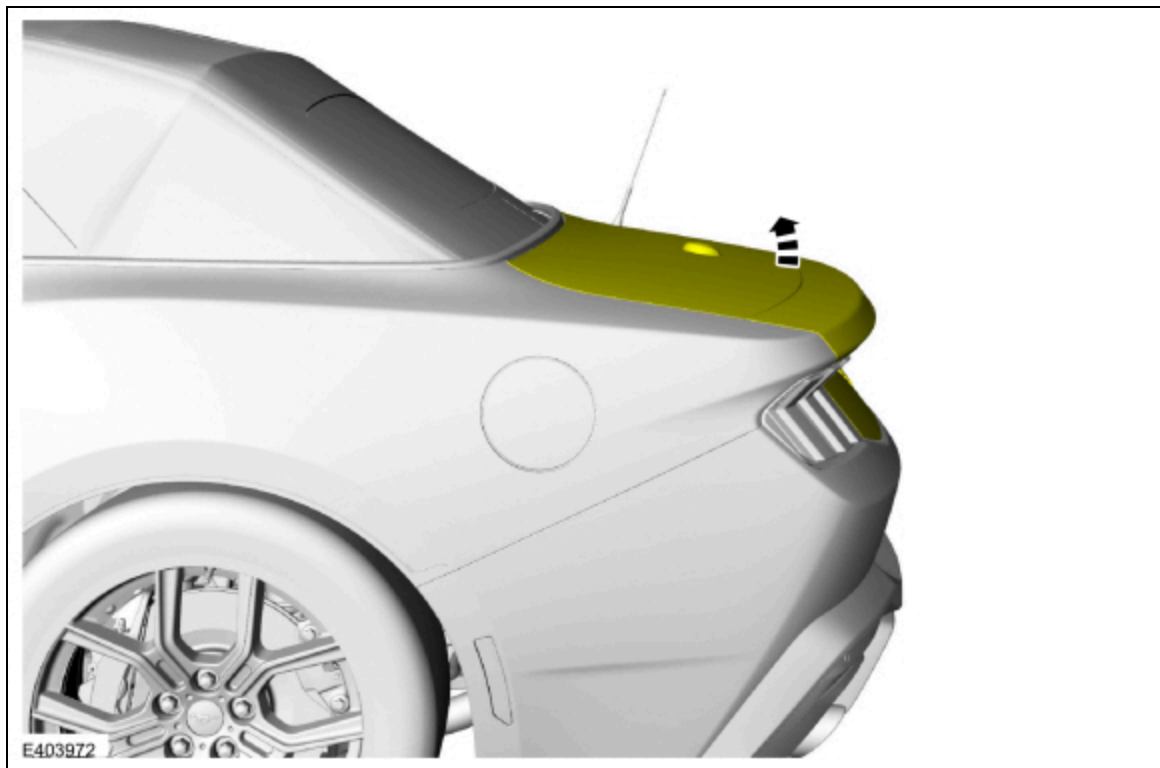
Removal

NOTE: Removal steps in this procedure may contain installation details.

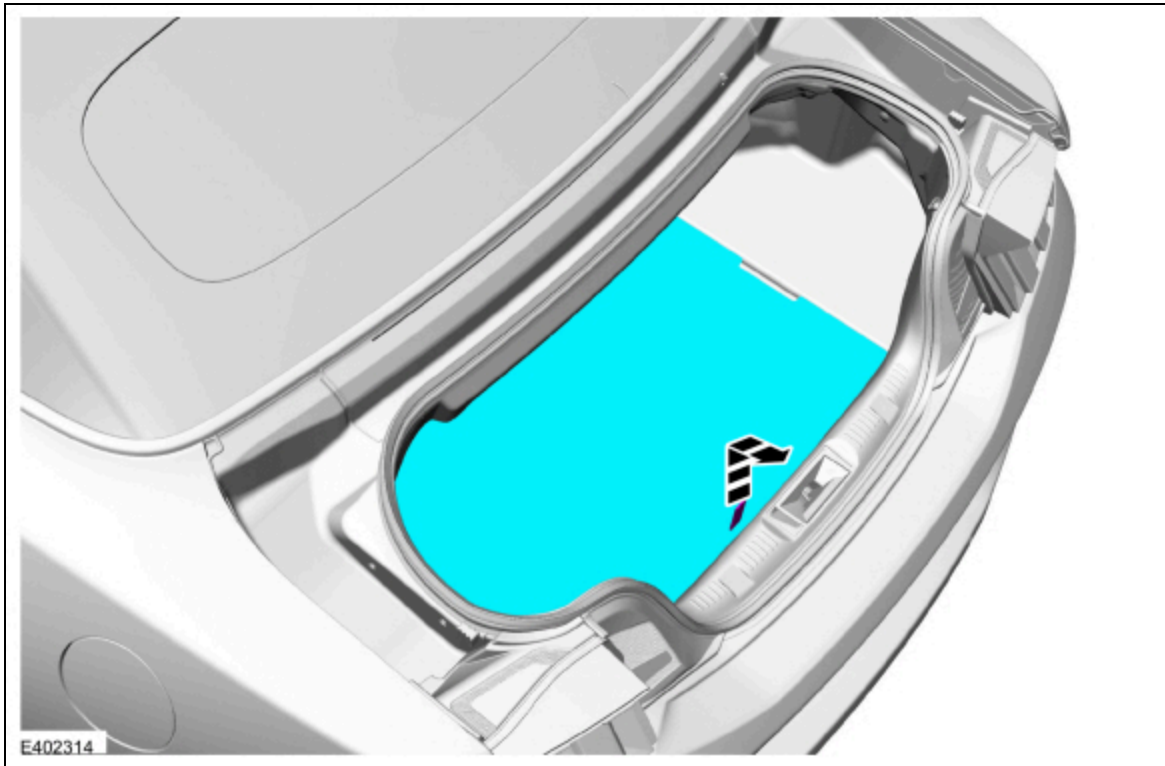
NOTE: If installing a new module, it is necessary to upload the module configuration information to the scan tool prior to removing the module. This information must be downloaded into the new module after installation.

1. Using a diagnostic scan tool, begin the PMI process for the TCU following the on-screen instructions.
2. **NOTE:** Convertible is shown, coupe is similar.

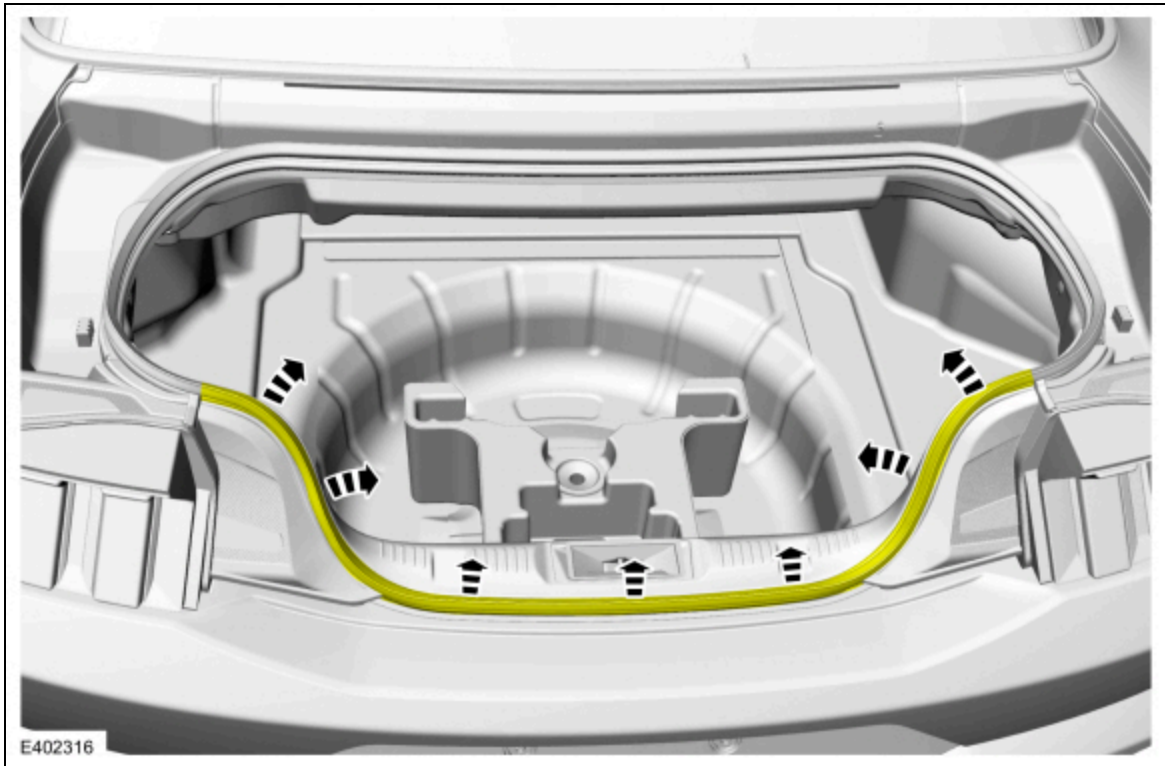
Open the luggage compartment lid.



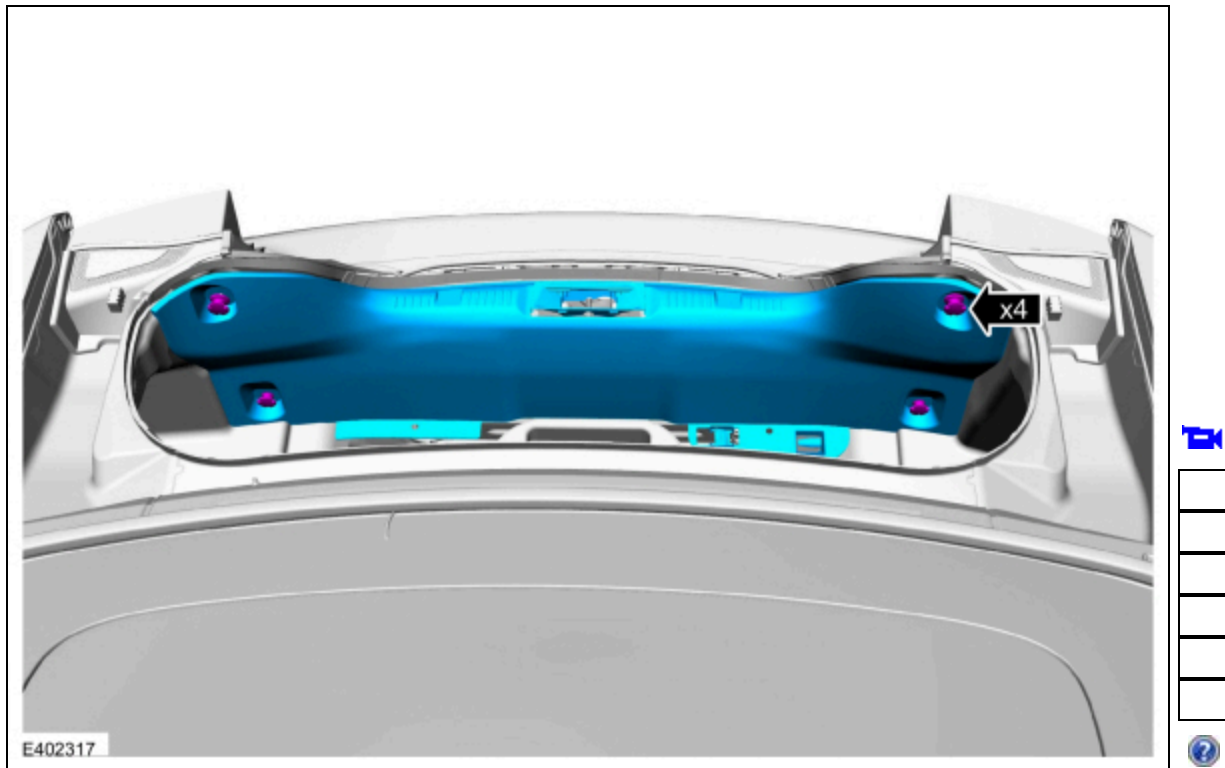
3. Remove the spare tire cover.



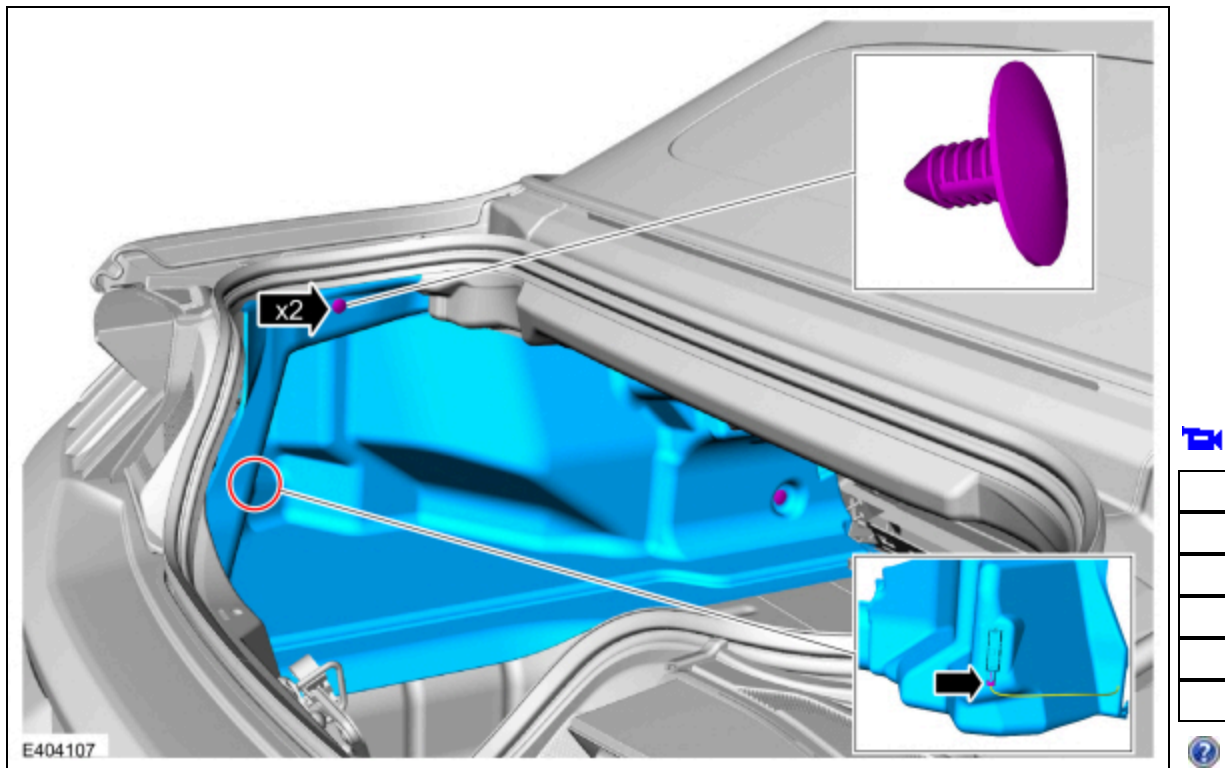
4. Position the luggage compartment seal aside.



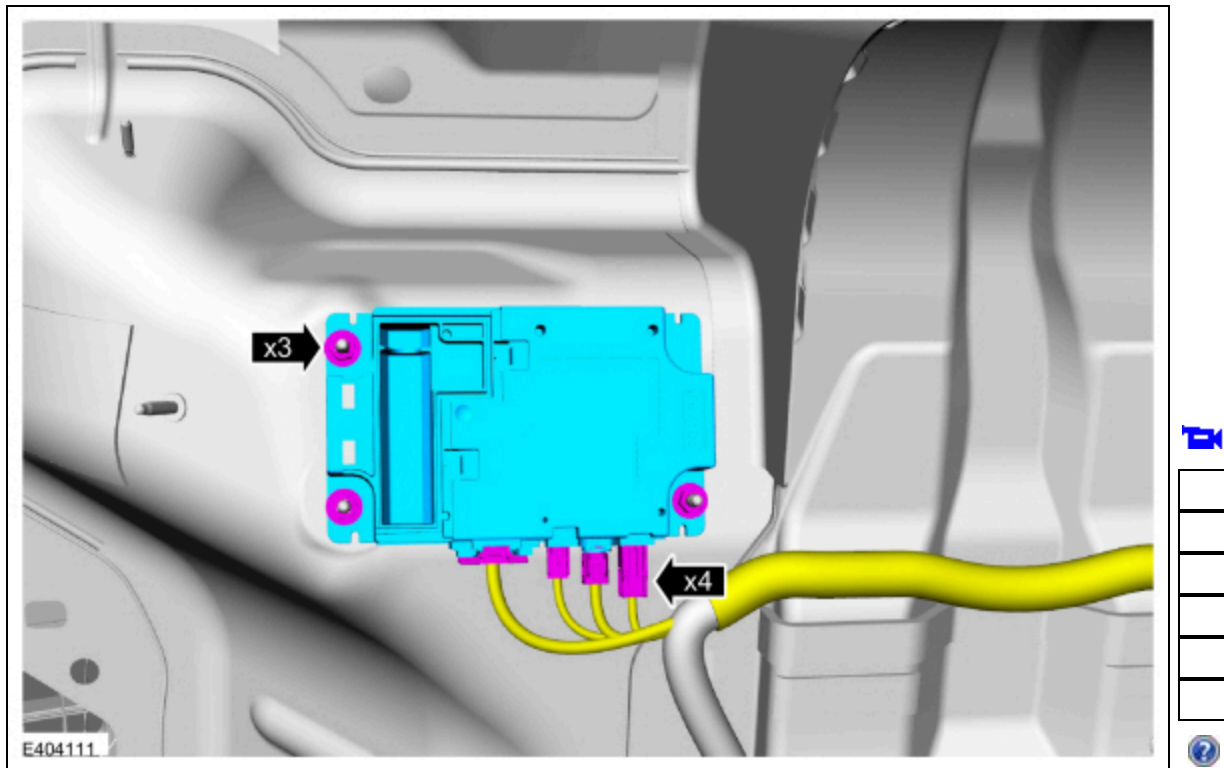
5. Remove the plastic nuts and the luggage compartment rear trim panel.



6. Remove the push pins and the LH luggage compartment trim panel.
- If equipped.
Disconnect the luggage compartment lamp electrical connector.



7. Disconnect the electrical connectors, remove the nuts and the TCU .
Torque: 25 lb.in (2.8 Nm)



Installation

1. To install, reverse the removal procedure.

2. **NOTE:** *NOTE: This step is only necessary if replacing the TCU .*

Using a diagnostic scan tool, complete the PMI process for the TCU following the on-screen instructions.

3. **NOTE:** *This step is only necessary if replacing the TCU .*

Using FDRS , carry out the **Trusted Real-Time Operation Network (TRON) Module Authentication** procedure. **SELECT TRON Diagnosis and Repair** and follow the on-screen instructions.

© Copyright 2025, Ford Motor Company.